



IOM ULTRAF 0G

Ultrasonic Hydrometer with Hydraulic
Command w/Galit
2"-8" (10 bar)



Apr-24

DESCRIPTION

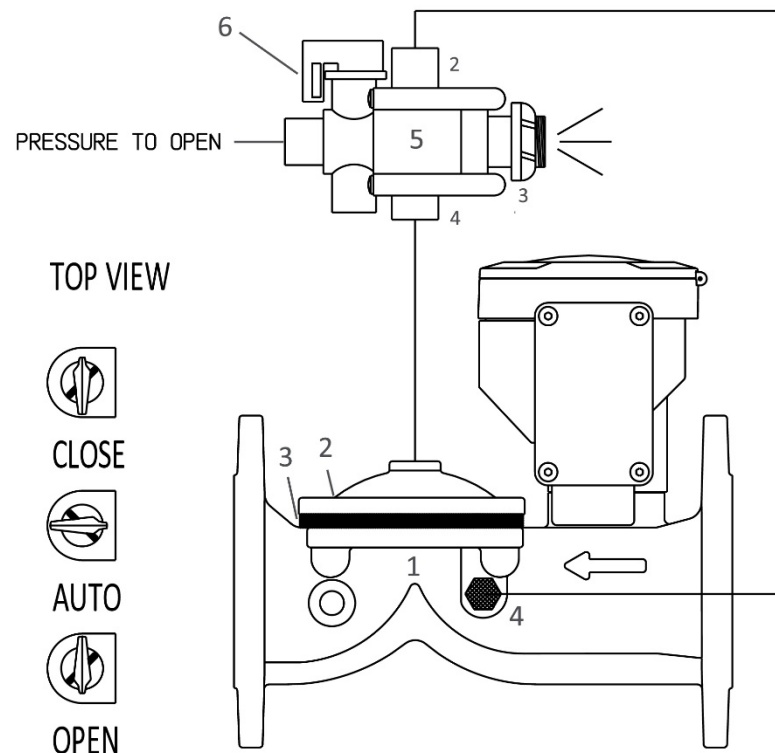
This Ultrasonic Hydrometer ULTRAF-0G, is a **NC** (normally closed) hydraulic on/off valve that can be operated by a hydraulic remote command. “Normally” means the state of the valve when the hydraulic relay is not pressurized.

INSTALLATION

- Before installing the Ultraf, flush the pipeline to remove scale, dirt and other particles that might affect the valve’s performance.
- Install the Ultraf as indicated by the arrow on the valve’s body, showing flow direction.
- It is recommended to install isolation valves upstream and downstream the control valve.
- Turn the manual override 6 to the “Close” position and turn on the water supply to the Ultraf.
- Check for leaks; tighten bolts & fittings if necessary.

PARTS LIST

1. Body
2. Cover
3. Diaphragm
4. Self-Flushing “Finger” Filter
5. Hydraulic Relay “Galit”
6. Manual Override



OPERATING INSTRUCTIONS

1. **To manually open the Ultraf completely**, turn the manual override to the “Open” position.
2. **To manually close the Ultraf**, turn the manual override to the “Close” position.
3. **To open the Ultraf by remote command**, turn manual override 6 to the “Auto” position then pressurize hydraulic relay.
4. **To remotely close the Ultraf**, de-pressurize the hydraulic relay.

MAINTENANCE

- No maintenance is required. It is recommended that the valve be easily accessible as well as clearly marked to prevent damage.
- In freezing climates, the valve should be dismantled, and water drained during the winter months

TROUBLESHOOTING ULTRAF-00 N.C.

PROBLEM	CAUSE	CHECK	SOLUTION
The Ultraf does not open.	<ol style="list-style-type: none"> 1. The manual override 6 is in the "Close" position. 2. The hydraulic relay 5 is not pressurized. 3. Hydraulic relay 5 and connections are clogged. 	<ol style="list-style-type: none"> 1. Check state of override. 2. Check control tubing at pressure port. 3. When activated, there is no water from the hydraulic relay's drain (3). 	<ol style="list-style-type: none"> 1. Turn the override selector to "Open" or "Auto" position. 2. Repair control tubing. Pressurize hydraulic relay 5. 3. Turn off water supply to the valve. Dismantle and clean drain connections in the valve and in the hydraulic relay. Reassemble and activate.
The Ultraf does not close.	<ol style="list-style-type: none"> 1. The hydraulic relay 5 is still pressurized. 2. The manual override 6 is in the "Open" position. 3. Foreign object on sealing seat 3. 4. Blocked self-flushing filter 4. 	<ol style="list-style-type: none"> 1. Disconnect control tube from hydraulic relay pressure command. 2. Check state of the override. 3. Some water is still flowing downstream of the valve. 	<ol style="list-style-type: none"> 1. De-pressurize hydraulic relay 5 2. Turn selector to "Auto" or "Close" position. 3. Turn off water supply to the valve. Disassemble the cover 2 and the diaphragm 3 then remove the foreign object. Check that diaphragm, body and cover are not damaged. Reassemble and activate. 4. Turn off water supply to the valve. Remove the filter and clean or change it. Reassemble and activate.