

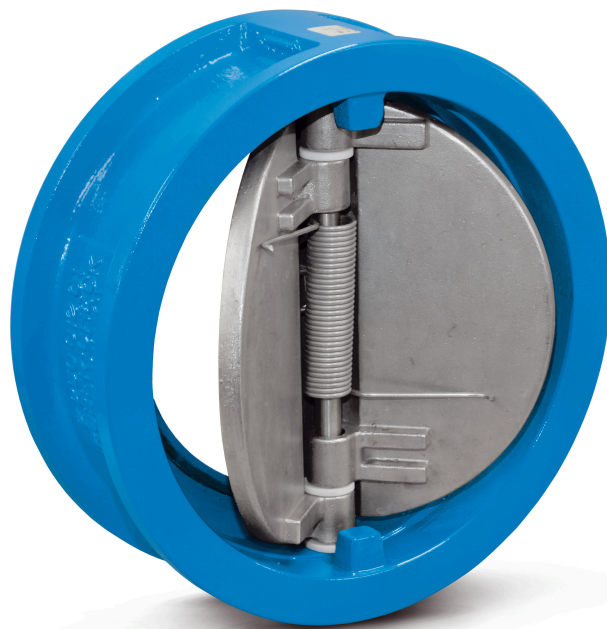


 **RAPHAEL**

Product Brochure

WAFER CHECK VALVE

Model CSW-51 - Dual Plate



Features

- Wafer style check valve.
- Face to face according DIN 3202, K3.
- Spring operated disc action, reducing closing times and pressure surges.
- O-ring type seat installed "downstream" of the flow ensuring maintenance free operation.
- Internal travel stops prevent the discs from overtravelling.
- Easy installation by means of lifting lugs (above DN200).
- Wide range of available seat, spring and disc materials.

General applications

This check valve is suitable for applications in water treatment, water distribution, HVAC, gas and general industrial systems. It's spring assisted closing actions allow successful installation where pressure surges can be expected.

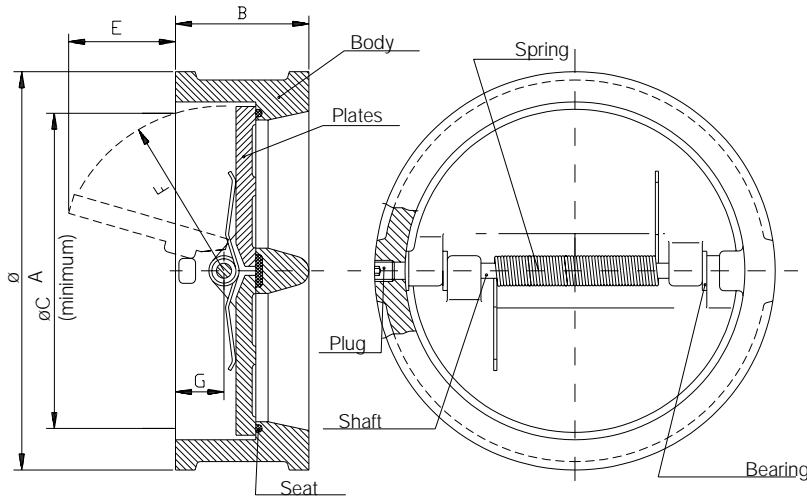


Valve performance

Sizes (mm)	: 50-600 (larger sizes on request)
Face to face distance according to	: DIN-3202 K-3
Flange accommodation	: PN10/16/25 and ANSI 150
Maximum pressure	: 25 bar in GGG-40 till DN-400 16 bar in GGG-40 from DN-450 till DN-1200 16 bar in GG-25 till DN-400 10 bar in GG-25 from DN-450 till DN-600
Temperature range for seats	: NBR = -20°C to +90°C EPDM = -40°C to +120°C FPM = -20°C to +232°C
Maximum temperature for springs	: AISI 302 = 125°C

Other shaft, spring and seat materials are available on request.

DESCRIPTION and TECHNICAL DATA



Valve dimensions (mm)

DN mm	inch	A			B	C	E	F	G	weight kg
		PN10/16	PN25	ANSI 125						
50	2	108	108	104	43	58	12	33	22	1.3
65	2 1/2	128	128	124	46	58	12	33	25	2.4
80	3	143	143	136	64	71	18	41	33	3.2
100	4	163	163	166	64	96	28	52	26	4.2
125	5	194	194	194	70	125	35	70	33	7
150	6	219	219	219	76	128	33	70	35	9
200	8	275	284	275	89	192	60	104	36	15
250	10	329	338	338	114	244	81	126	48	27
300	12	380	402	408	114	295	100	153	49	34
350	14	440	458	450	127	320	108	168	54	55
400	16	490	514	514	140	380	137	195	58	70
450	18	540	556	543	152	420	152	217	65	100
500	20	595	618	605	152	480	175	247	65	120
600	24	696	735	716	178	585	222	299	77	180
700	28	810	810	830	229	690	250	352	103	260
800	32	915	915	937	241	780	290	395	107	340
900	36	1015	1015	1046	241	850	332	445	112	520
1000	40	1124	1124	1216	300	940	332	483	152	760
1200	48	1340	1340	1380	350	1150	442	601	159	1200

Materials of construction

Trim Code	Body	Plates	Shaft	Spring	Seat	Notes
711	Cast iron	Kematal	Stainless AISI 304	Stainless AISI 302	NBR	Kematal: Copolymer Acetate. Max working temp. 70°C
716	Cast iron	Brass	Stainless AISI 304	Stainless AISI 302	NBR	
100	Cast iron	Ductile GGG 40	Stainless AISI 304	Stainless AISI 302	NBR	Plates in DN50 to DN100 in Brass
105	Cast iron	Stainless AISI 316	Stainless AISI 304	Stainless AISI 302	NBR	
731	Ductile iron	Brass	Stainless AISI 304	Stainless AISI 302	NBR	
107	Ductile iron	Ductile GGG 40	Stainless AISI 304	Stainless AISI 302	NBR	
177	Ductile iron	Stainless AISI 316	Stainless AISI 304	Stainless AISI 302	NBR	Plates in DN50 to DN100 in Brass
133	Ductile iron	Carbon, 216 WCB	Stainless AISI 304	Stainless AISI 302	NBR	Plates in DN50 to DN100 in AISI 316
732	Cast iron	Kematal	Stainless AISI 304	Stainless AISI 302	FPM	Kematal: Copolymer Acetate. Max working temp. 70°C
102	Cast iron	Brass	Stainless AISI 304	Stainless AISI 302	FPM	
196	Cast iron	Ductile GGG 40	Stainless AISI 304	Stainless AISI 302	FPM	Plates in DN50 to DN100 in Brass
174	Cast iron	Stainless AISI 316	Stainless AISI 304	Stainless AISI 302	FPM	
734	Ductile iron	Brass	Stainless AISI 304	Stainless AISI 302	FPM	
721	Ductile iron	Ductile GGG 40	Stainless AISI 304	Stainless AISI 302	FPM	
720	Ductile iron	Stainless AISI 316	Stainless AISI 304	Stainless AISI 302	FPM	Plates in DN50 to DN100 in Brass
163	Ductile iron	Carbon, 216 WCB	Stainless AISI 304	Stainless AISI 302	FPM	Plates in DN50 to DN100 in AISI 316
733	Cast iron	Kematal	Stainless AISI 304	Stainless AISI 302	EPDM	Kematal: Copolymer Acetate. Max working temp. 70°C
131	Cast iron	Brass	Stainless AISI 304	Stainless AISI 302	EPDM	
147	Cast iron	Ductile GGG 40	Stainless AISI 304	Stainless AISI 302	EPDM	Plates in DN50 to DN100 in Brass
701	Cast iron	Stainless AISI 316	Stainless AISI 304	Stainless AISI 302	EPDM	
735	Ductile iron	Brass	Stainless AISI 304	Stainless AISI 302	EPDM	
707	Ductile iron	Ductile GGG 40	Stainless AISI 304	Stainless AISI 302	EPDM	
718	Ductile iron	Stainless AISI 316	Stainless AISI 304	Stainless AISI 302	EPDM	Plates in DN50 to DN100 in Brass
164	Ductile iron	Carbon, 216 WCB	Stainless AISI 304	Stainless AISI 302	EPDM	Plates in DN50 to DN100 in AISI 316



RAPHAEL VALVES INDUSTRIES (1975) LTD, founded in 1949, is the first Israeli manufacturer of water control valves. RAPHAEL's research department constantly strives to introduce new and innovative products and solutions for water control systems including water works, fire-protection and irrigation systems and other fields.

RAPHAEL Valves Industries (1975) Ltd.

North Industrial Zone

Or Akiva, 3065401

POBox 555, Israel

Phone: +972 4 6263555

E-mail: info@raphael-valves.com

Website: www.raphael-valves.com

